

SONY.

Hi-Fi Products
Service Bulletin

Sony Service Company - Technical Services
A Division of Sony Corporation of America
Sony Drive, Park Ridge, New Jersey 07656

Model: CDP-707ESD

No. 95

Subject: Disc Table Belt Slips

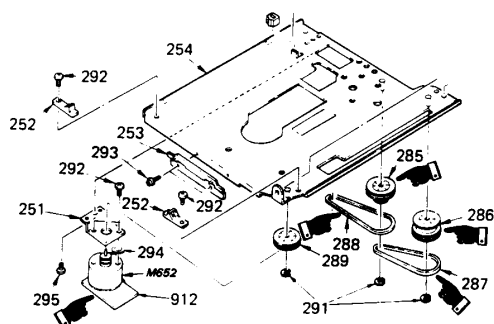
Date: December 29, 1989

Symptom:
(64)

When the disc table is closed, the belt slips causing an audible noise.

Solution: Replace disc table drive motor and belt.

Ref. No.	Description	Part Number
285-288 & M652	CDM4 Service Kit	A-4675-342-A



Compact Disc
CSA-13